

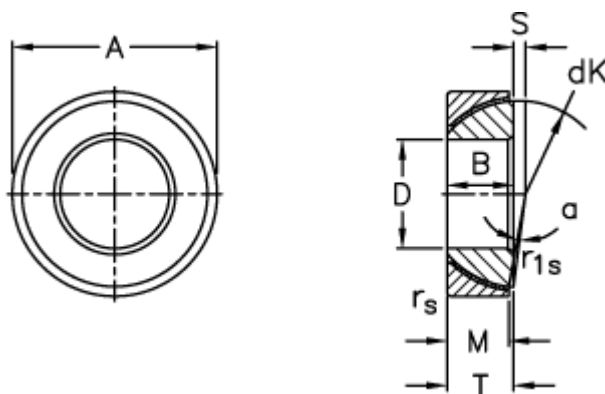
# Data Sheet



Article number: 03510120

Description: Fluro Rod end GE 120SW

## Measures



A = 180 0 -0,025

B = 38

D = 120 0 -0,020

dK = 168

Dynamic load C (kN) = 995

M = 37

rs, r1s min = 2

S = 14.5

Static load C0 (kN) = 1990

T = 38 +0,25 -0,60

Tilt angle = 0.5

Weight = 3970